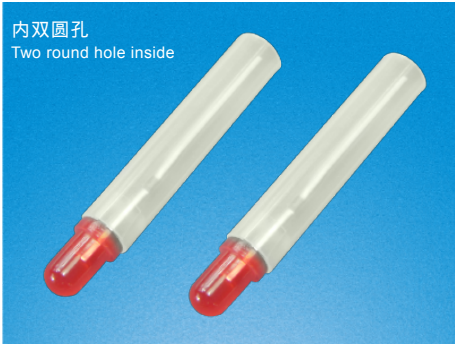


RCCN 日成内双圆孔B-LED隔离柱 Led Spacer Support

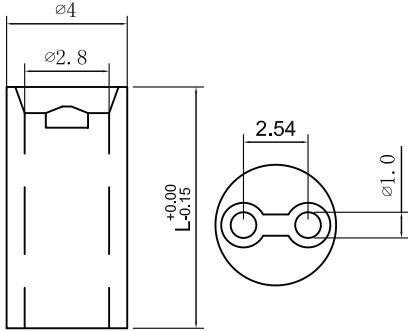
内双圆孔
Two round hole inside



材 质:UL合格之NYLON66 (本色)。
功 能:用于保护LED立于PC板,使灯高度一致,中间隔板设计,接脚不会弯曲,折断,短路。
防火等级:UL94-V2。
工作温度:-40 ~120 。
标准包装:最小起订量5000pcs/包
Material:UL approved NYLON66 (natural)
Functions:keep LED to hold PC board,
Fireproof:UL94-V2
Operate temperature:-40 ~120
Standard packing:mini.5000pcs/bag

单位/Unit:mm

B-LED2.8/4.0



型号/Item No.	型号/Item No.	型号/Item No.	型号/Item No.
内径/外径/高度 Inner dia./Outer dia./Height	内径/外径/高度 Inner dia./Outer dia./Height	内径/外径/高度 Inner dia./Outer dia./Height	内径/外径/高度 Inner dia./Outer dia./Height
B-LED2.8/4.0-1.5	B-LED2.8/4.0-6.5	B-LED2.8/4.0-11.0	B-LED2.8/4.0-16.0
B-LED2.8/4.0-2.0	B-LED2.8/4.0-7.0	B-LED2.8/4.0-11.5	B-LED2.8/4.0-16.5
B-LED2.8/4.0-2.5	B-LED2.8/4.0-7.5	B-LED2.8/4.0-12.0	B-LED2.8/4.0-17.0
B-LED2.8/4.0-3.0	B-LED2.8/4.0-8.0	B-LED2.8/4.0-12.5	B-LED2.8/4.0-17.5
B-LED2.8/4.0-3.5	B-LED2.8/4.0-8.5	B-LED2.8/4.0-13.0	B-LED2.8/4.0-18.0
B-LED2.8/4.0-4.0	B-LED2.8/4.0-9.0	B-LED2.8/4.0-13.5	B-LED2.8/4.0-18.5
B-LED2.8/4.0-4.5	B-LED2.8/4.0-9.5	B-LED2.8/4.0-14.0	B-LED2.8/4.0-19.0
B-LED2.8/4.0-5.0	B-LED2.8/4.0-10.0	B-LED2.8/4.0-14.5	B-LED2.8/4.0-19.5
B-LED2.8/4.0-5.5	B-LED2.8/4.0-10.5	B-LED2.8/4.0-15.0	B-LED2.8/4.0-20.0
B-LED2.8/4.0-6.0	B-LED2.8/4.0-11.0	B-LED2.8/4.0-15.5	B-LED2.8/4.0-20.5
			B-LED2.8/4.0-21.0
			B-LED2.8/4.0-21.5
			B-LED2.8/4.0-22.0

RCCN 日成内双圆孔B-LED隔离柱 Led Spacer Support

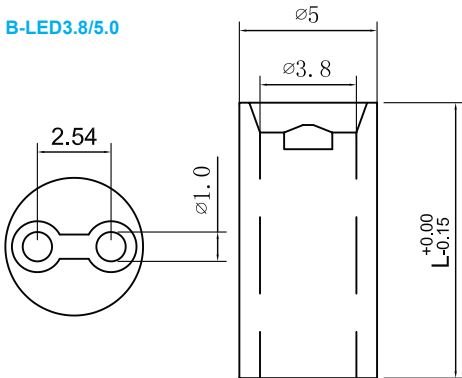
内双圆孔
Two round hole inside



材 质:UL合格之NYLON66 (本色)。
功 能:用于保护LED立于PC板,使灯高度一致,中间隔板设计,接脚不会弯曲,折断,短路。
防火等级:UL94-V2。
工作温度:-40 ~120 。
标准包装:最小起订量5000pcs/包
Material:UL approved NYLON66 (natural)
Functions:keep LED to hold PC board,
Fireproof:UL94-V2
Operate temperature:-40 ~120
Standard packing:mini.5000pcs/bag

单位/Unit:mm

B-LED3.8/5.0



型号/Item No.	型号/Item No.	型号/Item No.
内径/外径/高度 Inner dia./Outer dia./Height	内径/外径/高度 Inner dia./Outer dia./Height	内径/外径/高度 Inner dia./Outer dia./Height
B-LED3.8/5.0-1.5	B-LED3.8/5.0-9.0	B-LED3.8/5.0-16.5
B-LED3.8/5.0-2.0	B-LED3.8/5.0-9.5	B-LED3.8/5.0-17.0
B-LED3.8/5.0-2.5	B-LED3.8/5.0-10.0	B-LED3.8/5.0-17.5
B-LED3.8/5.0-3.0	B-LED3.8/5.0-10.5	B-LED3.8/5.0-18.0
B-LED3.8/5.0-3.5	B-LED3.8/5.0-11.0	B-LED3.8/5.0-18.5
B-LED3.8/5.0-4.0	B-LED3.8/5.0-11.5	B-LED3.8/5.0-19.0
B-LED3.8/5.0-4.5	B-LED3.8/5.0-12.0	B-LED3.8/5.0-19.5
B-LED3.8/5.0-5.0	B-LED3.8/5.0-12.5	B-LED3.8/5.0-20.0
B-LED3.8/5.0-5.5	B-LED3.8/5.0-13.0	B-LED3.8/5.0-20.5
B-LED3.8/5.0-6.0	B-LED3.8/5.0-13.5	B-LED3.8/5.0-21.0
B-LED3.8/5.0-6.5	B-LED3.8/5.0-14.0	B-LED3.8/5.0-21.5
B-LED3.8/5.0-7.0	B-LED3.8/5.0-14.5	B-LED3.8/5.0-22.0
B-LED3.8/5.0-7.5	B-LED3.8/5.0-15.0	B-LED3.8/5.0-22.5
B-LED3.8/5.0-8.0	B-LED3.8/5.0-15.5	B-LED3.8/5.0-23.0
B-LED3.8/5.0-8.5	B-LED3.8/5.0-16.0	B-LED3.8/5.0-23.5
		B-LED3.8/5.0-24.0
		B-LED3.8/5.0-24.5
		B-LED3.8/5.0-25.0
		B-LED3.8/5.0-25.5
		B-LED3.8/5.0-26.0